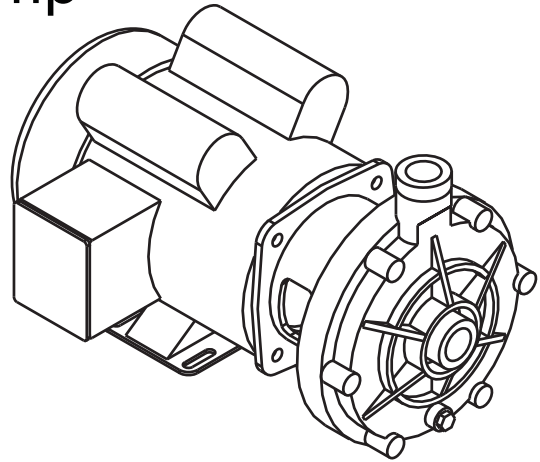


RP "Royal Pump"

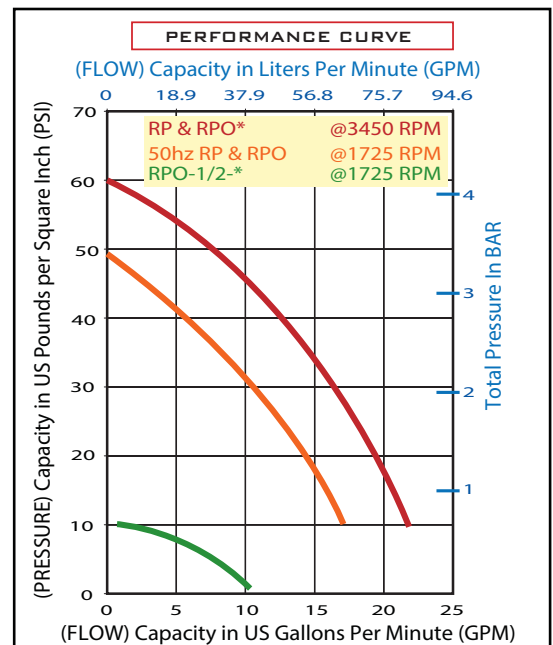
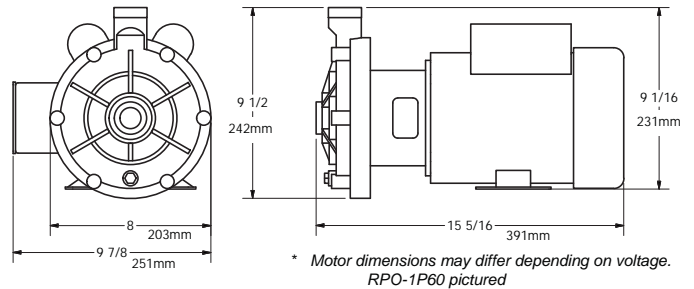
3/4" Composite High Pressure Centrifugal Pump

- Composite Construction
- Viton Mechanical Seal and O-Ring
- 3/4" NPT (Tapered Thread) Suction & Discharge
- Maximum Working Pressure 60 PSI (4.1 Bars)
- Maximum Temperature 120° F (50° C)
- Maximum Flow 23 GPM (87 LPM)
- Maximum Head 138 Ft.
- Self-cleaning Composite Impellers



Royal Pumps are reliable, cost effective and low maintenance. For use with non-flammable liquids compatible with pump component materials. All models are fitted with corrosion resistant composite impellers. Units feature pull-from-rear design for easy servicing without removing piping.

PART #	DESCRIPTION	VOLTAGE	AMPS	RPM
ROYAL PUMP 3/4 HP Centrifugal Single Station Pressure Pump				
RP-12	3/4 HP PUMP	12VDC	57	3000
RP-24	3/4 HP PUMP	24VDC	30	3000
RP-32	3/4 HP PUMP	32VDC	20	3000
RPO-AC	3/4 HP PUMP	115/230 VAC 1PH 60HZ	14.6/7.3	3450
ROYAL PUMP 1HP Centrifugal Pump				
RPO-1P60	1 HP PUMP	115/230 VAC 1PH 60HZ	12/6.2-6	3450
RPO-1P50	1 HP PUMP	220VAC 1ph 50hz	13.2/6.6	2850
RPO-3P60	1 HP PUMP	230/460 VAC 3ph 60hz	3.4-3.2/1.6	3450
RPO-3P50	1 HP PUMP	220/380VAC 3ph 50hz	4.2/2.4	2850
ROYAL PUMP Half Speed 1/2 HP Centrifugal Pump				
RPO-1/2-3P60	1/2 HP PUMP	230/460 VAC 3ph 60hz	1.9-2/1	1725
RPO-1/2-3PIP56	1/2 HP PUMP	190/230/460VAC 3ph 50/60hz	1.4/1.6/.8	1725



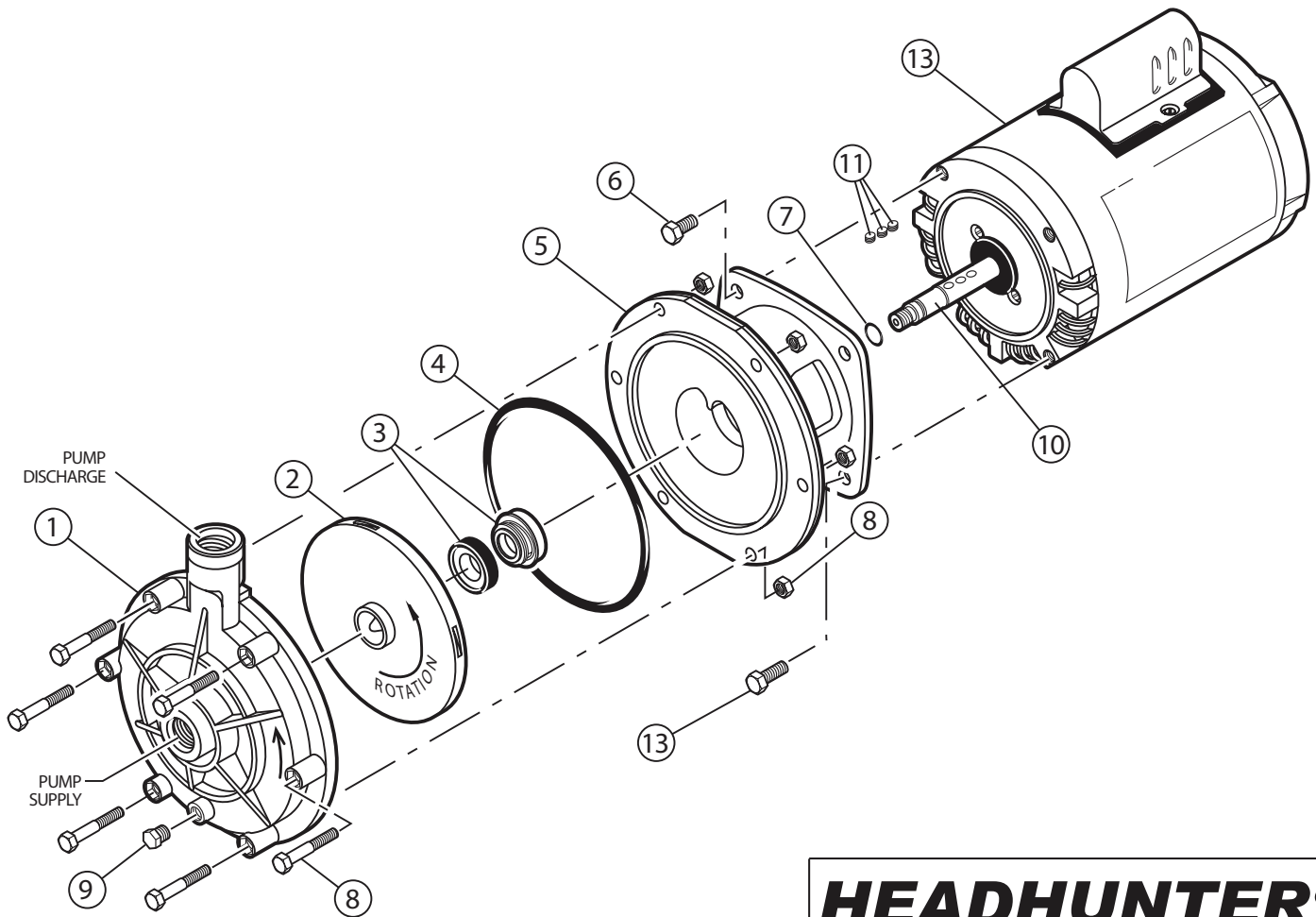
HEADHUNTER
WWW.HEADHUNTERINC.COM

3380 SW 11TH AVENUE
FORT LAUDERDALE, FLORIDA 33315
PHONE: +1 954-581-6996
FAX: +1 954-587-0403



No	Part No.	Description
1	RP-5	Volute
2	RP-15	Impeller
3	RP-55	Shaft Seal
4	RP-95	Volute O-Ring
5	RP-10	Motor Adapter
6	RP-35	One Motor Adaptor Bolt, 3/8" x 1 1/4" with 2 flat, 1 Nylon, 1 Lock washer, and 1Nut
7	RP-40	O-Ring for Shaft
8	RP-25	Motor Adapter to Volute Bolt, 5/16" x 2" with Nut
9	RP-20	1/8-inch RPTM Plastic Plug
10	RP-45	Pump Shaft with Set Screws
11	RP-50	Three Set Screws for Pump Shaft
12	RP-PUMPHEAD	Wet end for pump (Includes everything but Motor)
13*	(Motor Part #)	Pumps Motor (Part #s will differ depending on Voltages)

* Motor may appear differently than shown in the diagram below



HEADHUNTER

3380 sw 11th Ave
 Ft. Lauderdale, FL 33315
 Tel954-581-6996 Fax954-587-0403

Royal Pump Exploded Diagram

Rev: 5/4/2011

drawn by: case crowther