

# THRESHER PUMP

## 2" Composite Vortex Sewage Pump

- Passes solids up to 1-1/4" diameter
- Composite pump body & impeller, 316 SS pump shaft & seal
- 2" NPT (Tapered Thread) stainless steel reinforced Suction & Discharge
- Max discharge of 30' (9m)
- Max flow of 60 GPM (227 lpm))
- 40 lbs (18 kg)
- Requires flooded suction
- TEFC Washdown motor standard- other IP-56 and explosion proof options available.

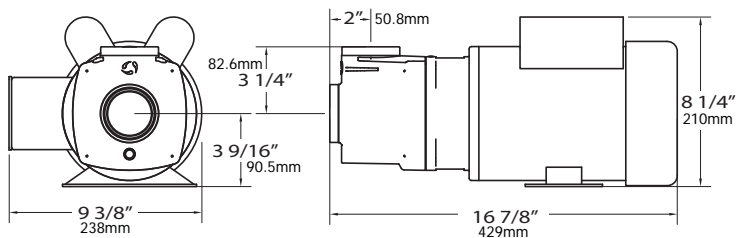


THR - Thresher Discharge Pumps are perfect for applications involving holding tanks, gray water tanks, or discharge from sewage treatment systems, the Thresher is designed to thrash through wastewater. The marine composite pump body and impeller slurries waste, passes large solids, and runs dry without damage. The 316 stainless steel shaft and mechanical seal provides years of dry, trouble free service.

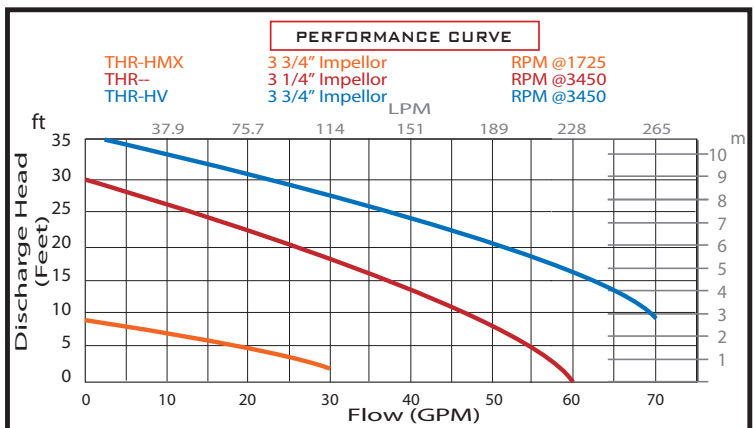
THR-HMX – Thresher Pumps are used in all TidalWave HMX Sewage Treatment Systems to provide continuous sewage circulation and maceration.

PART #	DESCRIPTION	VOLTAGE	AMPS	RPM	Impellor
<b>THRESHER VORTEX SEWAGE DISCHARGE PUMPS</b>					
THR-1P60	3/4 HP PUMP	115/230 VAC 1ph 60hz	10/5.2-5	3450	3 1/4"
THR-1P50	3/4 HP PUMP	220VAC 1ph 50hz	5.6	2850	3 1/4"
THR-3P50	3/4 HP PUMP	220/380VAC 3ph 50hz	3/1.75	2850	3 1/4"
THR-3P60	3/4 HP PUMP	230/460VAC 3ph 60hz	2.5-2.4/1.2	3450	3 1/4"
THR-12	3/4 HP PUMP	12VDC -Special Order	58	3000	3 1/4"
THR-24	3/4 HP PUMP	24VDC -Special Order	30	3000	3 1/4"
THR-CIRC-1P60	1 HP PUMP	115/230 VAC 1ph 60hz	12/6.2-6	3450	3 1/4"
<b>THRESHER HMX VORTEX SEWAGE PUMPS</b>					
THR-HMX-1P60	1 HP PUMP	115/230 VAC 1PH 60hz	12.8/6.4	1725	3 3/4"
THR-HMX-1P50-3.25	1 HP PUMP	220VAC 1ph 50hz	13.2/6.6	2850	3 1/4"
THR-HMX-3P50-3.25	1 HP PUMP	220/380VAC 3ph 50hz	4.2/2.4	2850	3 1/4"
THR-HMX-3P50-3.25-IP56*	3/4 HP PUMP	190/380VAC 3ph 50hz	2.4/1.2	2850	3 1/4"
THR-HMX-3P60	1 HP PUMP	208-230/460VAC 3ph 60hz	3.8-3.6/1.9	1725	3 3/4"
THR-HMX-HV-3P60	3 HP PUMP	208-230/460VAC 3ph 60hz	8.1-7.6/3.8	3450	3 3/4"
<b>HIGH VOLUME THRESHER VORTEX SEWAGE PUMPS</b>					
THR-HV-1P60	2 HP PUMP	115/230 VAC 1PH 60hz	20/11.4-10	3450	3 3/4"
THR-HV-3P60	2 HP PUMP	230/460VAC 3ph 60hz	5.7-5.4/2.7	3450	3 3/4"
THR-3P50-3.75-IP56-SS*	1 1/2 HP PUMP	190/380VAC 3ph 50hz	5.8/2.9	2900	3 3/4"
<b>HV STAINLESS STEEL IMPELLOR THRESHER VORTEX SEWAGE PUMPS*</b>					
THR-114615-4.25	3 HP PUMP	230/460VAC 3ph 60hz	8.4-7.6/3.8	3450	4 1/4" SS

CIRC = Circulation HV = High Volume \* Special Applications  
 Note: HV motor lengths may vary THR-114615-4.25 curve not featured



\* Note: HV Model Pumps -motor length may vary

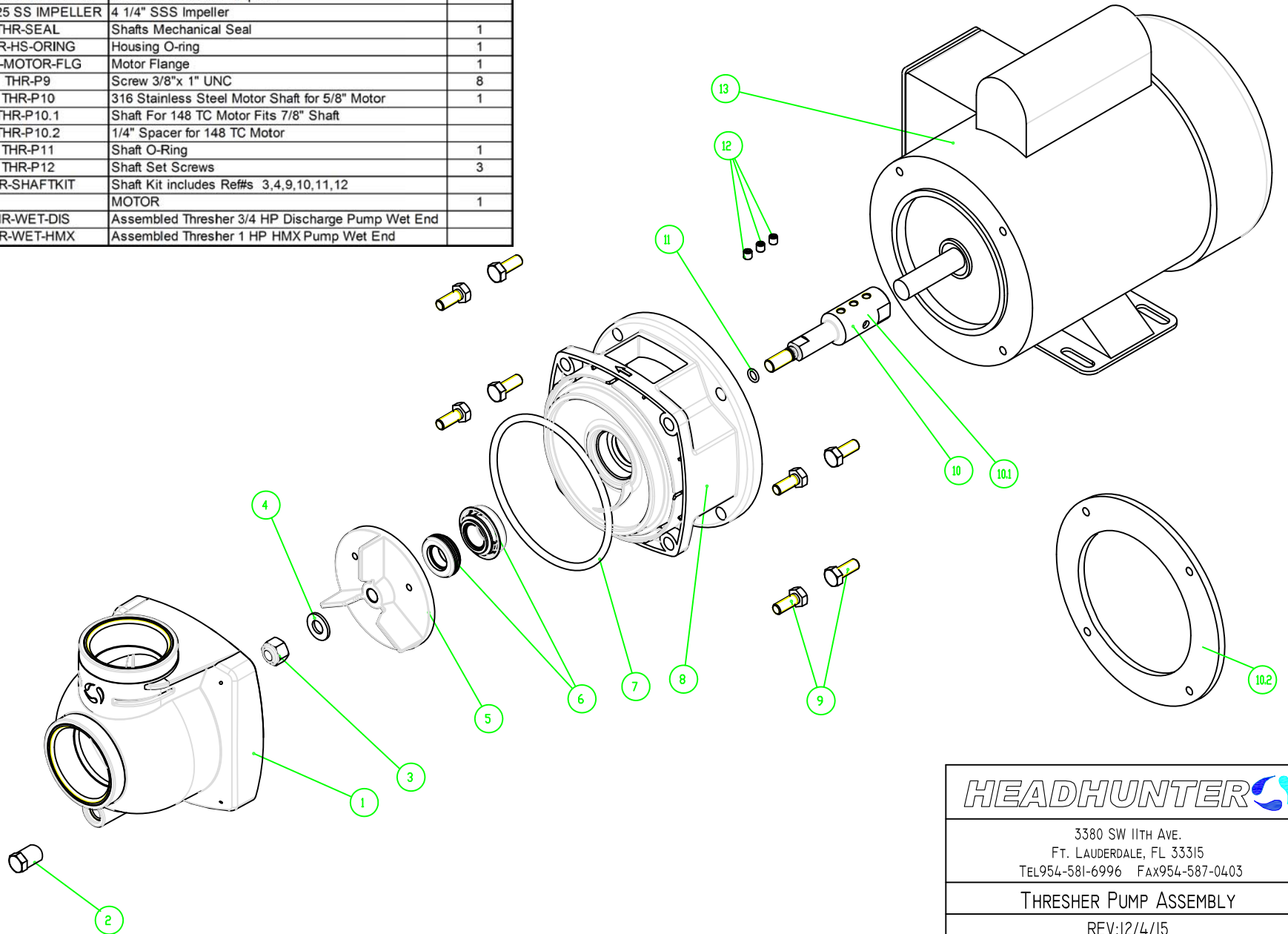


**HEADHUNTER**  
 WWW.HEADHUNTERINC.COM

3380 SW 11TH AVENUE  
 FORT LAUDERDALE, FLORIDA 33315  
 PHONE: +1 954-581-6996  
 FAX: +1 954-587-0403



Ref #	PART #	DESCRIPTION	QTY
1	THR-VOLUTE	Thresher Pump Volute	1
2	THR-DRAIN PLUG	1/4" NPT Drain plug	1
3	THR-P3	Lock Nut 3/8" UNF	1
4	THR-P4	Elastic Washer	1
5	THR-3.25 IMPELLER	3 1/4" Dia. Thresher Impeller	
5	THR-3.75 IMPELLER	3 3/4" Dia. Thresher Impeller	
5	THR-4.25 SS IMPELLER	4 1/4" SSS Impeller	
6	THR-SEAL	Shafts Mechanical Seal	1
7	THR-HS-ORING	Housing O-ring	1
8	THR-MOTOR-FLG	Motor Flange	1
9	THR-P9	Screw 3/8"x 1" UNC	8
10	THR-P10	316 Stainless Steel Motor Shaft for 5/8" Motor	1
10.1	THR-P10.1	Shaft For 148 TC Motor Fits 7/8" Shaft	
10.2	THR-P10.2	1/4" Spacer for 148 TC Motor	
11	THR-P11	Shaft O-Ring	1
12	THR-P12	Shaft Set Screws	3
	THR-SHAFTKIT	Shaft Kit includes Ref#s 3,4,9,10,11,12	
13		MOTOR	1
	THR-WET-DIS	Assembled Thresher 3/4 HP Discharge Pump Wet End	
	THR-WET-HMX	Assembled Thresher 1 HP HMX Pump Wet End	



**HEADHUNTER** 

3380 SW 11TH AVE.  
 FT. LAUDERDALE, FL 33315  
 TEL954-581-6996 FAX954-587-0403

THRESHER PUMP ASSEMBLY

REV:12/4/15

DRAWN BY: CASE CROWTHER